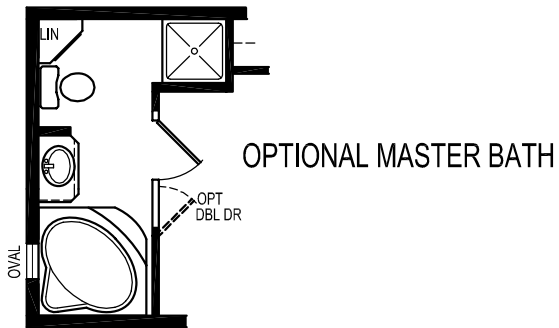


**MODEL 122-5636**

2 BEDROOM, 2 BATH  
 NOMINAL SIZE: 14' x 80'  
 TOTAL AREA: 1013 SQ. FT.




**Redman  
Homes**

101 GARDEN SPOT RD. EPHRATA, PA 17522

DAPIA SEAL	MODIFICATIONS	
	A   2003 UPDATE	2-03

MODEL: 122-5636	SHEET: L-101
TITLE: LITERATURE PLAN	
DRAWN BY: STAFF	DATE: FEB. 13, 2002
SCALE: 1/8" = 1'-0"	DESCRIPTION:

OAKCREST